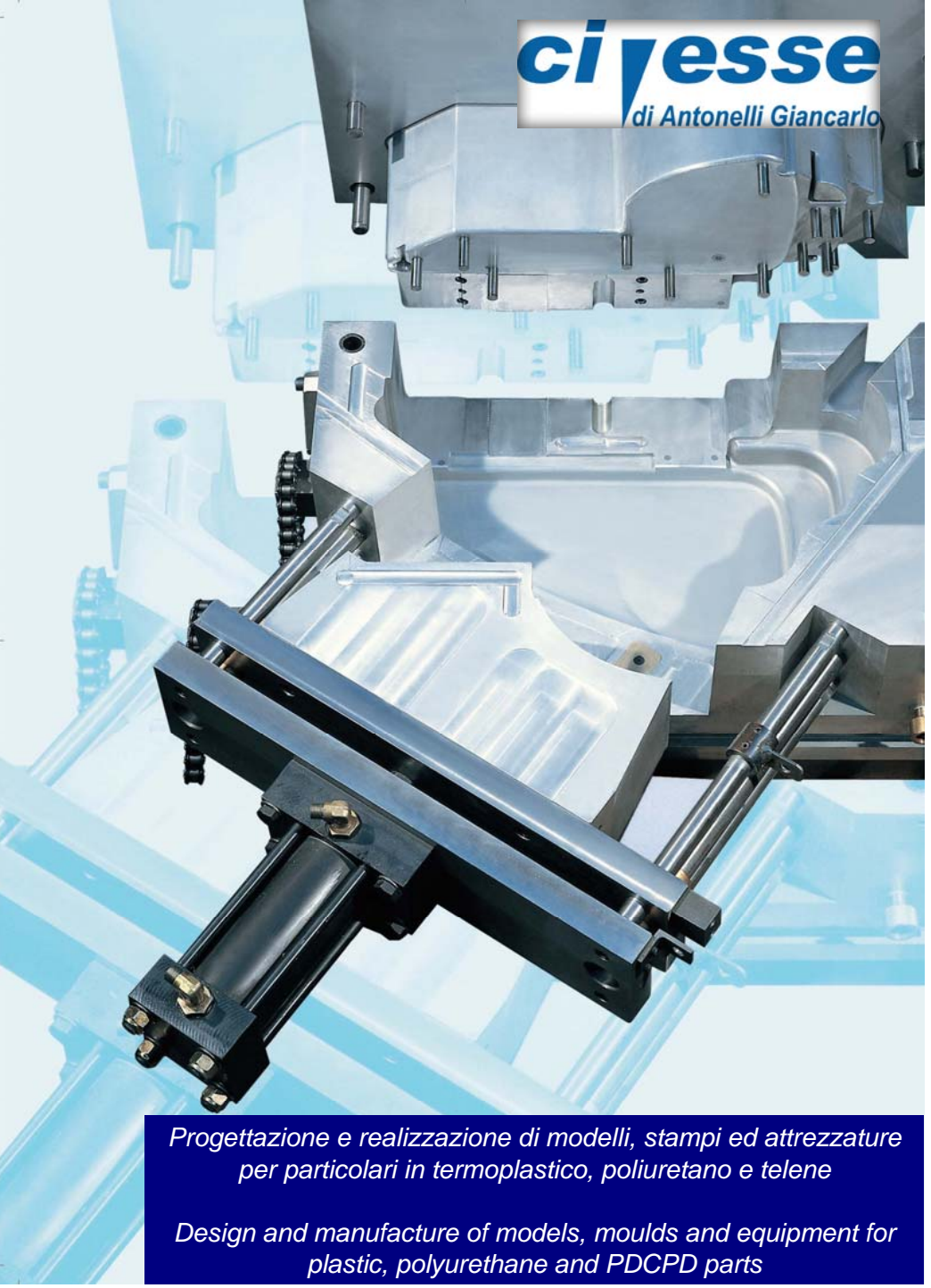




ci esse
di Antonelli Giancarlo



Codesign ,moulds project, Master models and moulds for automotive parts in PDCPD (car, tractor, train, agricolatural machine,, truck,) Since 1975



ci esse

Via Marsala, 34 - 20052 Monza (Mi) ITALY
Tel. : +39/039/2007881
Fax : +39/039/2006145
Web : www.ci-esse.com
E-mail : l.antonelli@ci-esse.com

Progettazione e realizzazione di modelli, stampi ed attrezzature per particolari in termoplastico, poliuretano e telene

Design and manufacture of models, moulds and equipment for plastic, polyurethane and PDCPD parts